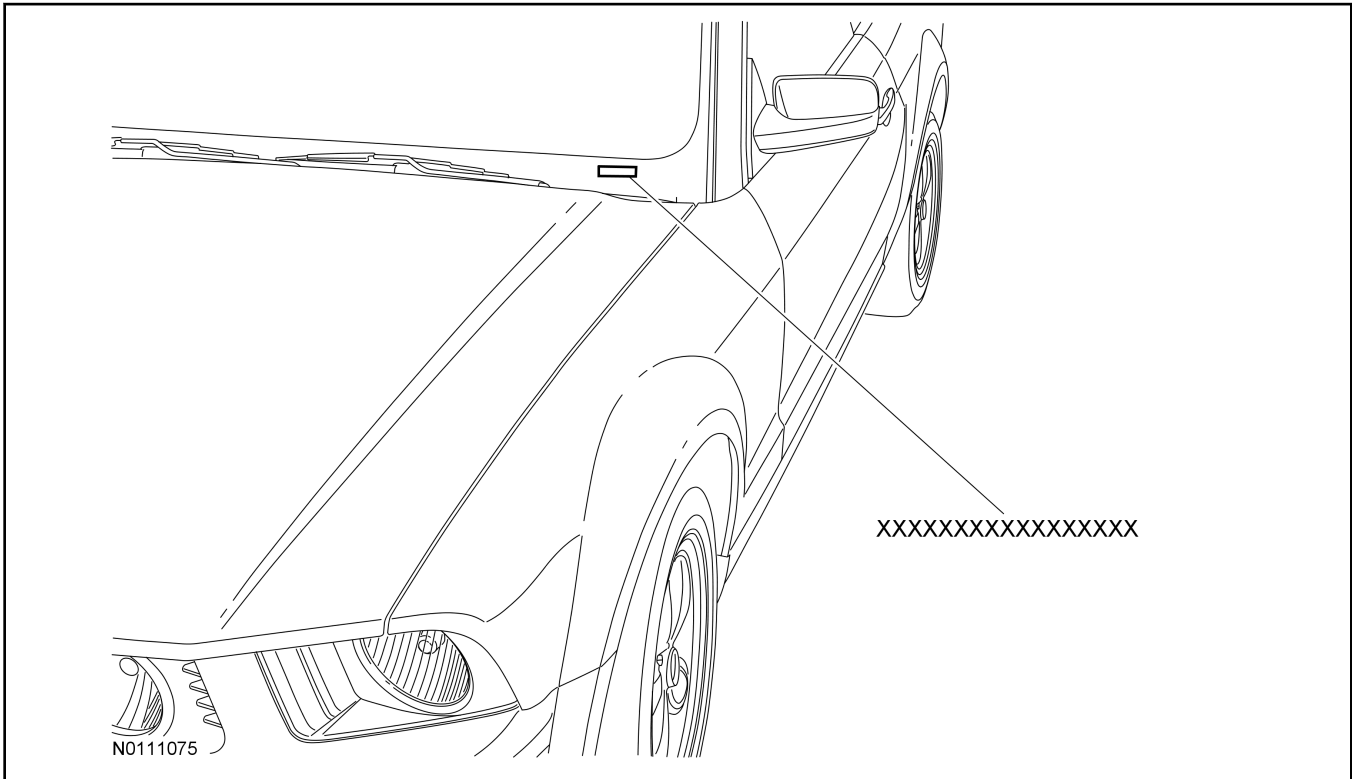

SECTION 100-01 Identification Codes

CONTENTS	PAGE
DESCRIPTION AND OPERATION	
Identification Codes	100-01-2
Vehicle Identification Number (VIN)	100-01-3
Vehicle Certification (VC) Label	100-01-4
Powertrain Calibration Information	100-01-7

DESCRIPTION AND OPERATION

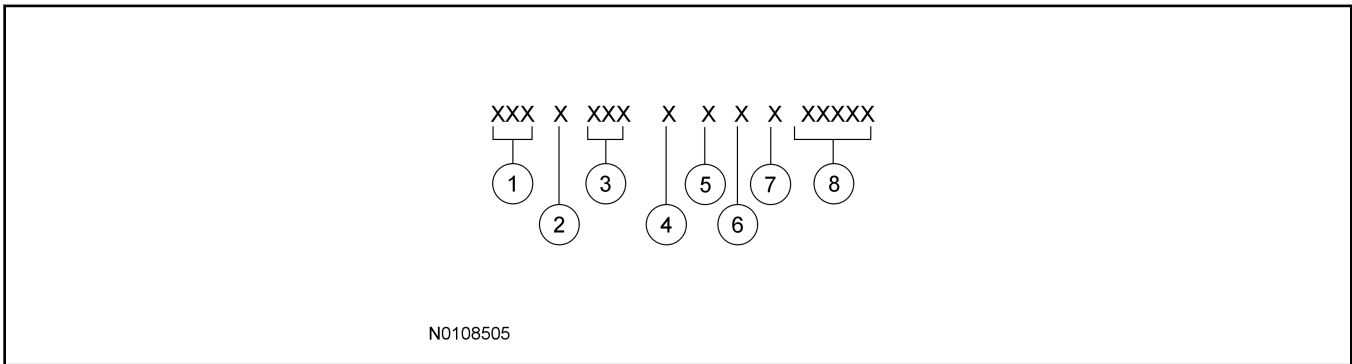
Identification Codes

Vehicle Identification Number (VIN) Locator



The Vehicle Identification Number (VIN) is a 17-digit alphanumeric code. The VIN is stamped on a metal tab riveted to the instrument panel, top upper left of the dash. The VIN number is also found on the Vehicle Certification (VC) label.

If the VIN plate requires replacement, authorized dealers must contact their respective regional office.



Item	Description
1	World Manufacturer Identifier (WMI)
2	Restraint-type code
3	Line and series
4	Engine code
5	Computer-generated check digit
6	Model year code
7	Assembly plant code

DESCRIPTION AND OPERATION (Continued)**(Continued)**

Item	Description
8	Production sequence number

Vehicle Identification Number (VIN)**World Manufacturer Identifier (WMI)**

The first 3 VIN positions are the World Manufacturer Identifier (WMI).

- 1ZV - Ford, USA, passenger car

Restraint-Type Code

The fourth VIN position is the vehicle restraint system type code.

- B - Active safety belts, all positions - driver and front passenger air bags with side impact air bags

Line and Series Code

Positions 5 through 7 indicate vehicle line, series and body type.

- P8A - 2-door coupe, base
- P8C - 2-door coupe, GT
- P8E - 2-door convertible, base
- P8F - 2-door convertible, GT
- P8J - 2-door coupe, Shelby
- P8K - 2-door convertible, Shelby

Engine Code

The eighth VIN position is the engine displacement and number of cylinders code.

- F - 5.0L, DOHC, 4-valve, sequential electronic fuel injection, 8-cylinder
- M - 3.7L, 4-valve, port fuel injection, 6-cylinder
- S - 5.4L, DOHC, 4-valve, electronic fuel injection, supercharged, 8-cylinder

For more specific engine tag information (build date, etc.). Section 303-01A, Section 303-01B or Section 303-01C.

Computer-Generated Check Digit

The ninth VIN position is a government-assigned, computer-generated check digit code (0-9).

Model Year Code

The tenth VIN position is the model year code.

- B - 2011

Assembly Plant Code

The eleventh VIN position is the assembly plant code.

- 5 - Auto Alliance International (AAI) — Flat Rock, Michigan (USA)

Production Sequence Number

The last 6 VIN positions are the production sequence number. This number is also used as the vehicle serial and warranty number.

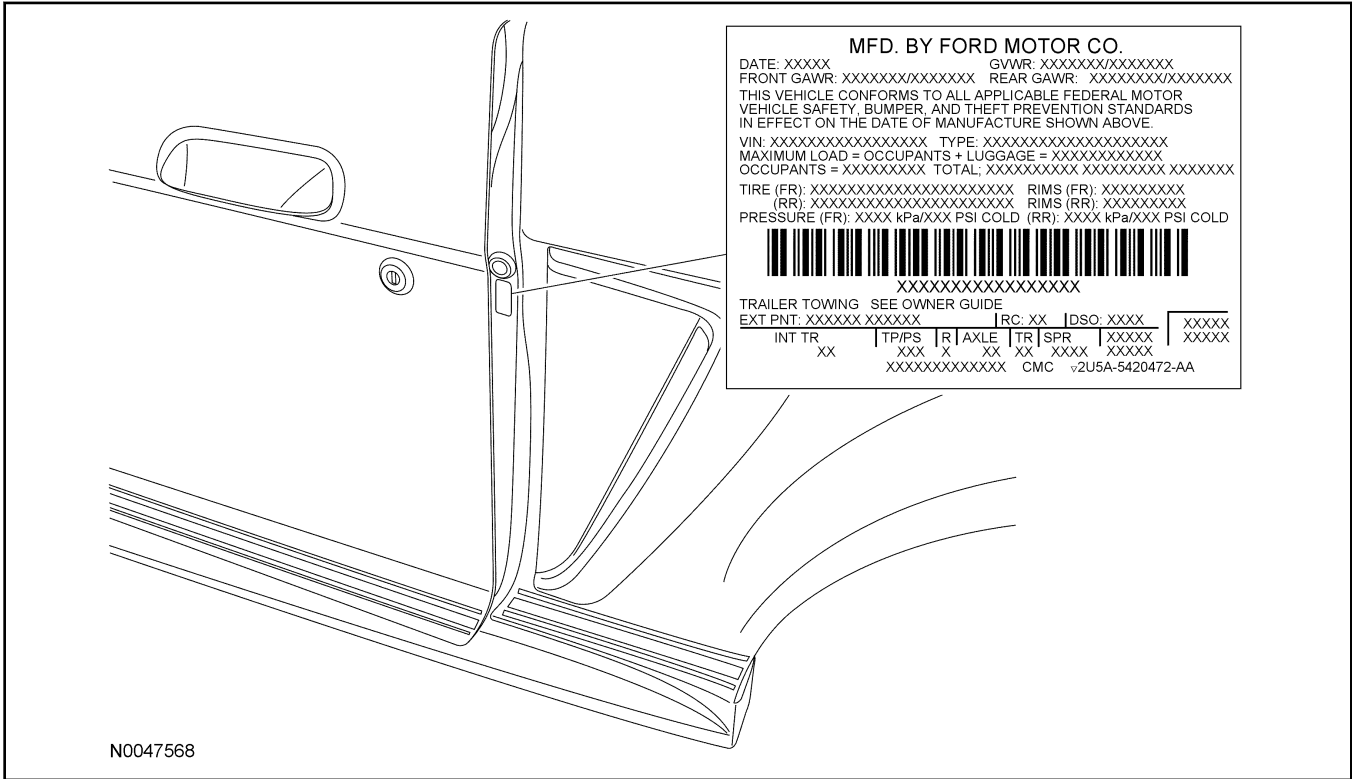
The serial number can also be found on the engine block and transmission.

- 100001-599999

DESCRIPTION AND OPERATION (Continued)

Vehicle Certification (VC) Label

Vehicle Certification (VC) Label Locator



The upper portion of the Vehicle Certification (VC) label contains the manufacturer name, the month and year of manufacture, the certification statement and the Vehicle Identification Number (VIN). It also includes Gross Vehicle Weight Rating (GVWR). The VC label is located on the LH door jamb.

If a vehicle requires replacement of the VC label and is 4 years old or less, an authorized dealer must submit the VIN to their respective regional office. The regional office will submit a web form to the assembly plant for the replacement label. Once the label has been printed, a representative from the regional office will deliver the label to the dealer and witness installation on the vehicle. If a vehicle is more than 4 years old and requires a replacement label, the dealer must submit a request to the Department of Motor Vehicles.

DESCRIPTION AND OPERATION (Continued)

N0039636

Item	Description
1	Exterior paint color code
2	Region code
3	Special order code District Special Order (DSO) FSO — foreign special order PTO — paint, tire option special order
4	Interior trim code
5	Tape/paint stripe code
6	Radio type code
7	Axle ratio code
8	Transmission code
9	Spring code
10	Powertrain calibration code

Paint Codes

Paint codes may be listed as a 2-part code. The first set of paint code letters/numbers listed indicate the vehicle primary body color. The second set of paint code letters/numbers listed (if applicable) indicate a 2-tone or accent body color. All colors are base coat/clear coat.

- CI - Grabber Blue
- HP - Performance White
- L6 - Kona Blue
- NQ - Yellow Blaze (tri-coat)
- PQ - Race Red
- U6 - Red Candy Tint
- UA - Black
- UJ - Sterling Gray Metallic
- UX - Ingot Silver Metallic

Interior Trim Codes

The interior trim codes are listed as a 2-part code. The first character listed is the interior fabric. The second character listed is the interior color.

DESCRIPTION AND OPERATION (Continued)

- L - Two-tone Natural Grain leather
- 1 - Cord II cloth
- 2 - Speck cloth
- 4 - Turned Mini Perforated leather over Milled Pebble leather
- 5 - Natural Grain leather
- 6 - SOHO leather with racing stripes

The interior trim colors are:

- B - Charcoal Black with Blue stripe (Shelby)
- D - Charcoal Black with Red stripe (Shelby)
- N - Charcoal Black with Umber
- P - Charcoal Black with Fire Orange
- Q - Charcoal Black with Cashmere
- R - Charcoal Black with Grabber Blue
- U - Stone Gray
- W - Charcoal Black
- X - Charcoal Black with Black stripe (Shelby)
- 2 - Charcoal Black with White stripe (Shelby)
- 7 - Charcoal Black with Silver stripe (Shelby)

Tape/Paint Stripe Codes

The tape and paint stripe codes are:

- Blank - Less stripe
- B - Grabber Blue
- R - Colorado Red
- W - High Performance White with Black
- X - Satin Black
- Z - Race Red with Ingot Silver
- 1 - Race Red with Black
- 2 - Oxford White
- 7 - Satin Silver

Radio Codes

The radio type codes are:

- N - AM/FM stereo with CD, clock and navigation system
- 2 - Electronic premium AM/FM stereo with CD player and clock
- 5 - Premium electronic AM/FM stereo with CD player and clock
- 9 - CDX6+, AM/FM stereo with 6-disc CD changer and speed-sensing volume control

Axle Ratio Codes

The axle ratios are:

- BB - 3.73 ratio, base vehicle with manual or automatic transmission
- CC - 2.73 ratio
- DD - 3.55 ratio with manual transmission
- GG - 3.31 ratio with automatic transmission
- YY - 3.15 ratio with automatic transmission

For axle tag information, refer to Section 205-00.

Transmission Codes

The transmission codes are:

- E - 6-speed manual (T56) - Shelby
- X - 6-speed manual (MT82)
- 3 - 6-speed automatic (6R80)

DESCRIPTION AND OPERATION (Continued)

For transmission tag information, refer to Section 307-01, Section 308-03A, Section 308-03B.

Spring Codes

The spring code portion of the VC label identifies both the front and rear springs. The first set of characters listed indicate the front spring code. The second set of characters indicate the rear spring code.

Front Springs

- AA - BR33-5310-A
- BB - BR33-5310-B
- CC - BR33-5310-C
- FF - BR33-5310-F
- GG - BR33-5310-G


Rear Springs

- AA - BR33-5560-A
- BB - BR33-5560-B
- CC - BR33-5560-C
- DD - BR33-5560-D
- EE - BR33-5560-E
- FF - BR33-5560-F
- GG - BR33-5560-G
- JJ - BR3V-5560-J
- LL - BR3V-5B669-L
- MM - AR3V-5560-M
- NN - AR33-5560-N

Powertrain Calibration Information

MFD. BY FORD MOTOR CO.

DATE: XXXXX GVWR: XXXXXXX/XXXXXXXX
 FRONT GAWR: XXXXXXX/XXXXXXXX REAR GAWR: XXXXXXX/XXXXXXXX
 THIS VEHICLE CONFORMS TO ALL APPLICABLE FEDERAL MOTOR
 VEHICLE SAFETY, BUMPER, AND THEFT PREVENTION STANDARDS
 IN EFFECT ON THE DATE OF MANUFACTURE SHOWN ABOVE.
 VIN: XXXXXXXXXXXXXXXXXXXX TYPE: XXXXXXXXXXXXXXXXXXXX
 MAXIMUM LOAD = OCCUPANTS + LUGGAGE = XXXXXXXXXXXXXXXX
 OCCUPANTS = XXXXXXXXXXXX TOTAL: XXXXXXXXXXXXXXXXXXXX
 TIRE (FR): XXXXXXXXXXXXXXXXXXXX RIMS (FR): XXXXXXXXX
 (RR): XXXXXXXXXXXXXXXXXXXX RIMS (RR): XXXXXXXXX
 PRESSURE (FR): XXXX kPa/XXX PSI COLD (RR): XXXX kPa/XXX PSI COLD



XXXXXXXXXXXXXXXXXXXX

TRAILER TOWING SEE OWNER GUIDE
 EXT PNT: XXXXXX XXXXXX | RC: XX | DSO: X | XXXXX
 INT TR | TP/PS | R | AXLE | TR | SPR | XXXXX | XXXXX
 XX | XXX X | XX | XX | XXXX | XXXXX | XXXXX

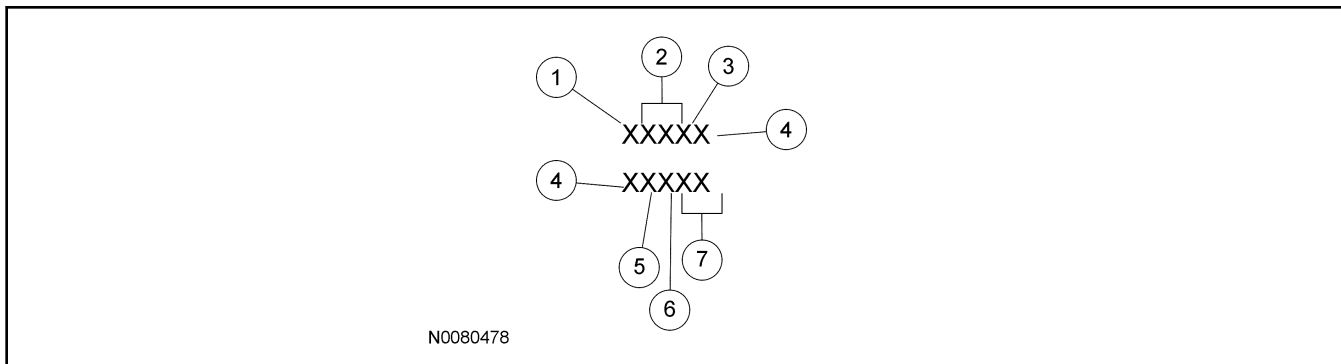
N0039644 XXXXXXXXXXXXXXXX CMC -ZU5A-5420472-AA

NOTE:

Powertrain calibration information is limited to a maximum of 5 characters per line on the VC label. Because of this, calibration identification consisting of more than 5 characters will wrap to the second line on the VC label.

Powertrain calibration information is printed in the lower right corner of the VC label. Only the base calibration information is printed. Revision levels will not appear, however, this information can be obtained through a scan tool using the most current software revision.

DESCRIPTION AND OPERATION (Continued)



Item	Description
1	Model year (model year in which calibration strategy was first introduced)
2	Vehicle code
3	Transmission code
4	Unique calibration (designates different hardware to similar vehicles), example: tires or drive ratios
5	Fleet code (describes fleet to which the vehicle belongs), example: 6 - Evaporative Emission (EVAP)
6	Certification region (lead region where multiple regions are included in one calibration), example: A - US federal
7	Revision level (will advance as revisions occur), not printed on label

Model Year

- Y - 2000
- 1 - 2001
- 2 - 2002
- 3 - 2003
- 4 - 2004
- 5 - 2005
- 6 - 2006
- 7 - 2007
- 8 - 2008
- 9 - 2009
- A - 2010
- B - 2011

Vehicle Line

- ZF - Mustang

Transmission

- 1 - Automatic transmission
- 2 - Manual transmission

Unique Calibration

The Emissions/Corporate Average Fuel Economy/Carbon Dioxide Compliance Department is responsible for assigning these calibration numbers. Unique calibration identifications are assigned to cover similar vehicles to differentiate tires, drive configurations, final drive ratios and other calibration-significant factors.

These 2 characters are chosen by the analyst to provide easily identifiable information unique to each calibration. For example, using the number 2 to denote a 2-valve engine versus using the number 4 to denote a 4-valve engine.

Fleet Code

- 1 - Heavy duty gas engine/Dyno
- 2 - Fast Automobile Manufacturer's Association, US

DESCRIPTION AND OPERATION (Continued)

- 3 - Alternative durability protocol, US
- 4 - Not assigned
- 5 - Not assigned
- 6 - Evaporative Emission (EVAP)
- 7 - Mileage Accumulation Aging Endurance Durability
- 8 - On-Board Diagnostic (OBD)
- 9 - Not assigned

Certification Region

- 5 - US 50 states
- A - US federal, including altitude, may include Canada and/or Mexico
- B - US California standard, includes US green states
- C - Canada
- D - China
- E - European Community (Austria, Belgium, Denmark, Finland, France, Germany, Greece, Ireland, Italy, Luxembourg, Netherlands, Portugal, Spain, Sweden and United Kingdom)
- F - Extended European Community (E plus Croatia, Czech Republic, Estonia, Hungary, Norway, Poland, Romania, Russian Federation, Slovakia, Slovenia, Switzerland and Yugoslavia)
- G - Gulf Cooperative Council (Bahrain, Kuwait, Oman, Qatar, Saudi Arabia and United Arab Emirates)
- H - Hong Kong
- J - Japan
- K - Korea
- L - Malaysia
- M - Mexico
- N - New Zealand
- P - Australia
- Q - South America (Brazil)
- S - Singapore
- T - Taiwan
- U - South America (unleaded fuel regions)
- V - Vietnam
- X - Rest Of World (ROW)
- Y - Military
- Z - Israel

Revision Level (not printed on label)

- 91-99 - Hardware certification levels
- 01-04 - Preliminary levels
- 00 - Job 1 production (initial certification)
- 05-09 - Pre-job 1 revisions to calibrations
- 10-89 - Post-job 1 revisions to calibrations
- 0B - Durability test level
- BD - OBD intermediate level (pre-05)